

RE-ASSEMBLED ELECTRICAL ACTUATOR HEAD 227SOL (24 VDC)

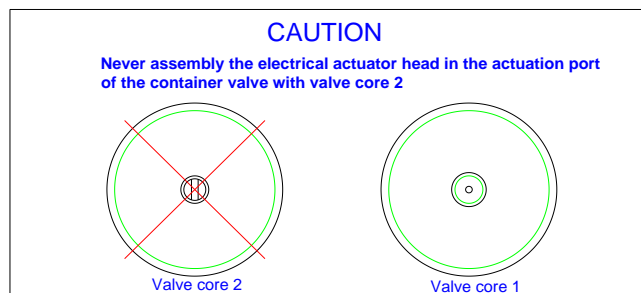
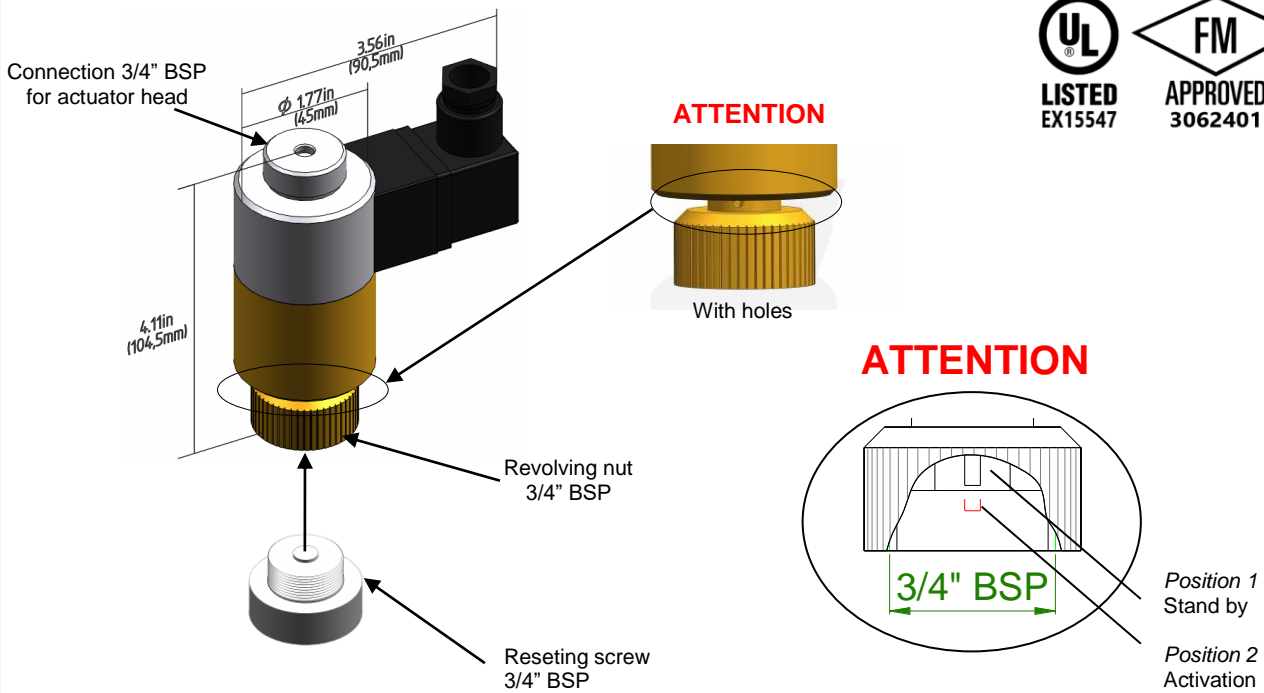
Description

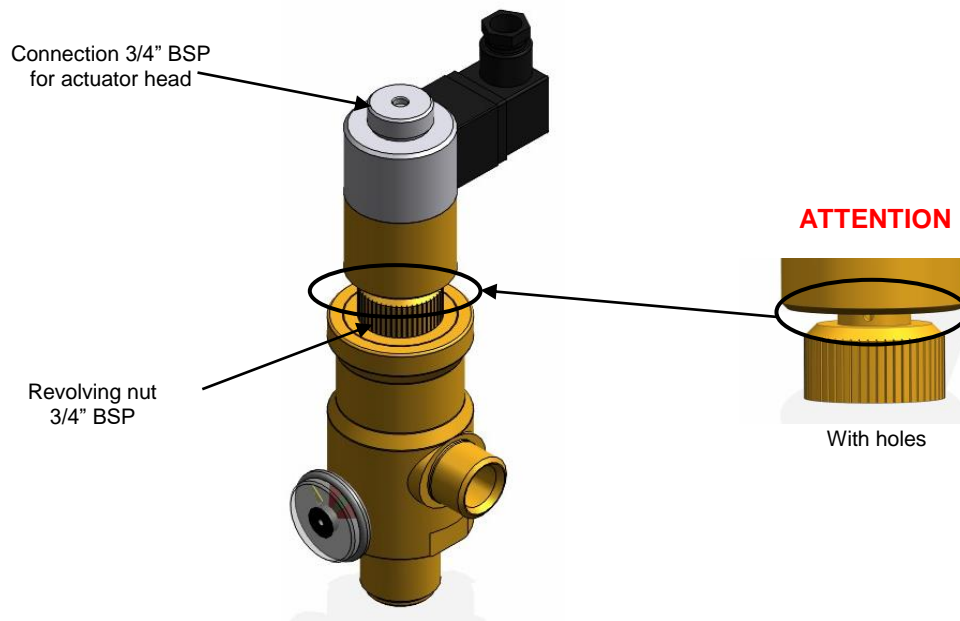
The purpose of this actuator head is to actuate the valves of the cylinders on which it is fitted electro-mechanically. It will activate when the coil is energised, which will cause the solenoid to operate and actuate the valve. This actuator can be reset (pointer goes back to the stand by position) by threading a reset screw in its revolving nut.

All devices are to be installed in accordance with NFPA 70 "National Electrical Code" and with local electrical code requirements. The mechanism for fitting it to the cylinder valve using a swivel nut allows it to face the right direction.

If installation conditions require special protection, please contact Siex to discuss availability of suitably rated enclosures.

The 227SOL electrical actuator head is connected to the upper actuation port of the RGS-MAM-20 / 40 / 50 / 80 / 11 / 12 valve. The manual actuator head 227DM / 227DMS, the cable-operated manual actuator head 227CMC, cable-operated manual actuator head with protective box 227CMCC, pneumatic actuator head 227CN / 227CNTK, pneumatic-manual actuator head 227CNM can all be fitted to the 227SOL actuator head.

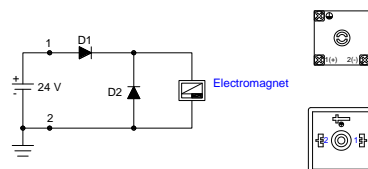




Technical Information:

Re-assembled electrical actuator head 227SOL (24 VDC)	
Actuation type	Launching
Re-assembled requirements	Manual force (Resetting screw)
Connection to the cylinder valve RGS-MAM-20 / 40 / 50 / 80, RGS-MAM-11 / 12 (actuation port)	3/4" BSP Female
Protection range	IP65
Nominal voltage	24V (DC)
Nominal current	0.58 A
Nominal power at 68° F (20° C)	14 W
Electrical connection	3-pin electrical plug (2 poles + earth)
Approvals	UL-EX15547 FM-3062401

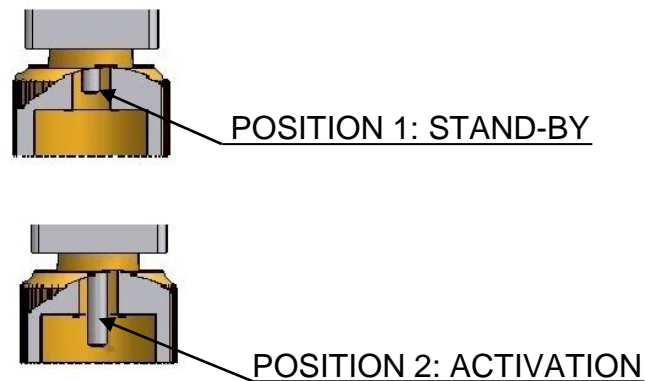
Circuit diagram:



Inside the connector, two diodes are located. The one connected in parallel with the winding (D2) eliminates the tension ends that take place when disconnecting, avoiding that the electronic components can be deteriorated. The diode in series (D1) protects the electromagnet avoiding that is damaged by tensions of inverse polarity. The non-correct polarization of the feeding, necessarily implies the non-operation of the apparatus, therefore it is essential to respect the feeding polarizations.

Connections of the connector:

The terminal with mark 1 corresponds to the positive of the continuous feed.
The terminal with mark 2 corresponds to the negative of the continuous feed.

Safety:

Before threading the electrical actuator to the activation port of the valve, check that the actuator pointer is retracted (position 1).

If the actuator pointer is in position 2, when threading the electrical actuator, the gas extinguisher contained in the cylinder could discharge violently, causing serious injuries to the person handling it.

Do not install the electrical actuator without holding the cylinder to the wall with its brackets.

REVOLVING NUT:

- Thread it to the valve activation port.
- Do not add sealant, or Teflon, or glue.
- Tighten only with the hand.

To remove the electrical actuator from the valve, loosen its revolving nut by hand.

When doing this operation the valve cap must not be turned, as this will cause the contents of the cylinder to be discharged violently, which could cause serious injuries.

Do not remove the electrical actuator unless the cylinder is attached to the wall by its brackets.

CE and π marking:

This section meets the 73 / 23 / CEE Low Voltage European Directive regarding the electrical material destined to use it with determinate voltage limits and 93 / 68 / CEE modification. The sections indicated in this guide are incorporated in set, making up a single machine.

The use of these devices is subject to the total conformity of the equipment, which must be authorized following the 98 / 37 / CE machinery Directive, and / or in its case, to the electromagnetic compatibility Directive.

Attention:

- Electromagnets with permanent magnets are especially contraindicated for people with pacemaker.
- People with metallic prosthesis must be aware of maintaining a minimum safety distance from any element which generates a magnetic field.
- Certain high sensitivity electrical appliances may be affected by the electromagnetic fields produce by the appliance.
- Following the EMV 89 / 336 Standard (electromagnetic conformity) must be ensured by the user.
- Avoid to be in contact with the appliance when it's working (it's warm).

WARNING: This type of Re-assembled electrical actuator head 227SOL (24 VDC) is manufactured and approved to be used in fixed extinguishing installations with FK-5-1-12. This product is not designed for other use or purpose. If product user has any doubt regarding the application or product use, please contact +34 947 28 11 08. Every not approved use or application or / and any other not approved modification of the product or its function may cause serious accidents or / and personal damages. SIEX 2001 S.L. is not responsible for any non-approved use of the application.

IMPORTANT: SIEX 2001 S.L. reserves the right to change or modify without previous notice any data or specification due to changes or modification in order to improve the products presented.