

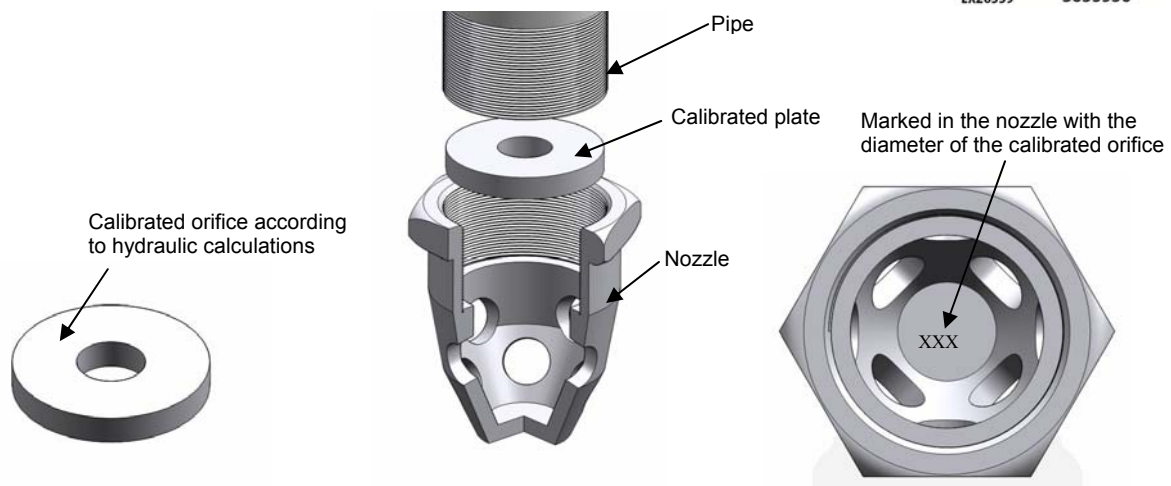
CALIBRATED PLATE POPCxxx

Description

The calibrated orifice is located inside the discharge nozzles in order to control the exact amount of gas to be discharged. As its name indicates, it is a circular plate with a central orifice calibrated according to the hydraulic calculations (calculation software). The diameter of the central calibrated orifice is stamped on the lower flat part of the nozzle. Its size is expressed in millimetres to two decimal places (e.g., 12.25 mm).

Calibrated orifices must be fitted into every nozzle which is connected to cylinders or banks of cylinders with more than one nozzle to protect one or more hazard areas.

In modular cylinders with a single nozzle, it is not necessary to use a calibrated orifice. Nor are they necessary in pre-engineered and balanced systems with 2 or 4 nozzles, provided that the distances and requirements of those systems are complied with. They are supplied from the factory assembled in the nozzles.



Technical information

CALIBRATED PLATES	
Material	Inox steel AISI 304 and Brass
Types according to the nozzle	From 3/8" BSP to 2 1/2" BSP
Outlet diameter	Adjusted to nozzle size
Calibrated orifice diameter	According to the hydraulic calculations
Exist restrictor in the installation	YES
Approvals	UL-EX26559 FM-3055956

CALIBRATED PLATES			
BRASS		INOX STEEL AISI 304	
POPC10B	3/8" BSP	POPC10I	3/8" BSP
POPC15B	1/2" BSP	POPC15I	1/2" BSP
POPC20B	3/4" BSP	POPC20I	3/4" BSP
POPC25B	1" BSP	POPC25I	1" BSP
POPC32B	1 1/4" BSP	POPC32I	1 1/4" BSP
POPC40B	1 1/2" BSP	POPC40I	1 1/2" BSP
POPC50B	2" BSP	POPC50I	2" BSP
POPC65B	2 1/2" BSP	POPC65I	2 1/2" BSP

WARNING: This type of calibrated plate POPCxxx, is manufactured and approved to be used with IG-541 Gas. These products are not designed for other use or purpose. If product user has any doubt regarding the application or product use, please contact +34 947 28 11 08. Every not approved use or application or / and any other not approved modification of the product or its function may cause serious accidents or / and personal damages. SIEX 2001 S.L. is not responsible for any non-approved use of the application.

IMPORTANT: SIEX 2001 S.L. reserves the right to change or modify without previous notice any data or specification due to changes or modification in order to improve the products presented.